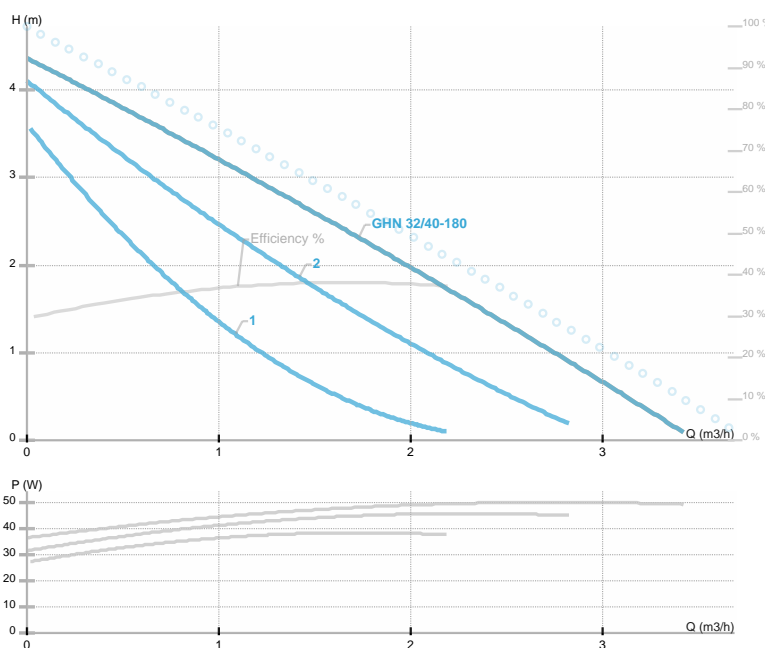




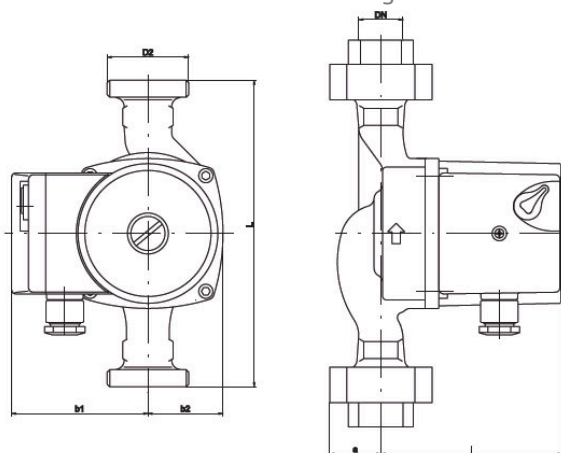
GHN 32/40-180

GHN / Threaded circulation pumps with three speeds
 Heating/cooling, Klimatizacija



| | |
|---------------------|-----------------------------------|
| Part number | 979521711 |
| Power supply | 1~230 V |
| Declared protection | IP44 |
| Q max | 3.5 [m³/h] |
| H max | 4.0 [m] |
| RPM | 1315 - 2456 [1/min] |
| Motor power | 50 [w] |
| Declared current | 0.21 [A] |
| Fluid | Water VDI 2035, glycol 40% |
| Fluid temperature | -10.0 ÷ 110.0 [°C] |
| Insulation class | H |
| DN | 32 [mm] |
| Connector | G 2 |
| Net weight | 2.75 [kg] |
| Length | 180 [mm] |
| Approvals | EAC |
| EEL | |
| Efficiency | [%] |
| Impeller material | Noryl 1630V |
| Bearing material | Graphite |
| Shaft material | AISI 420 |
| Hydraulics material | Gray cast iron |
| Mains frequency | 50 Hz |
| Connection | G 2 |
| Max pressure | 1.0 MPa |
| Ambient temp.range | 35 deg C |

Dimension drawing



DN=32 D2=2" L=180 l=108 b1=80 b2=44 a=30

Electrical wiring